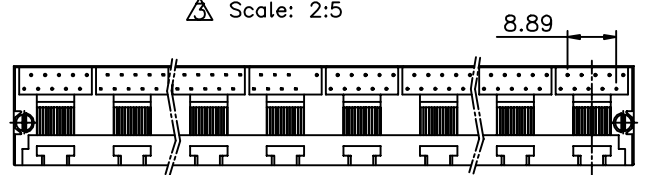
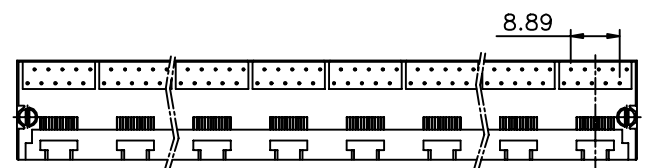
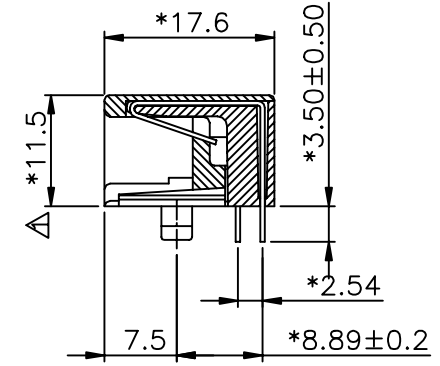
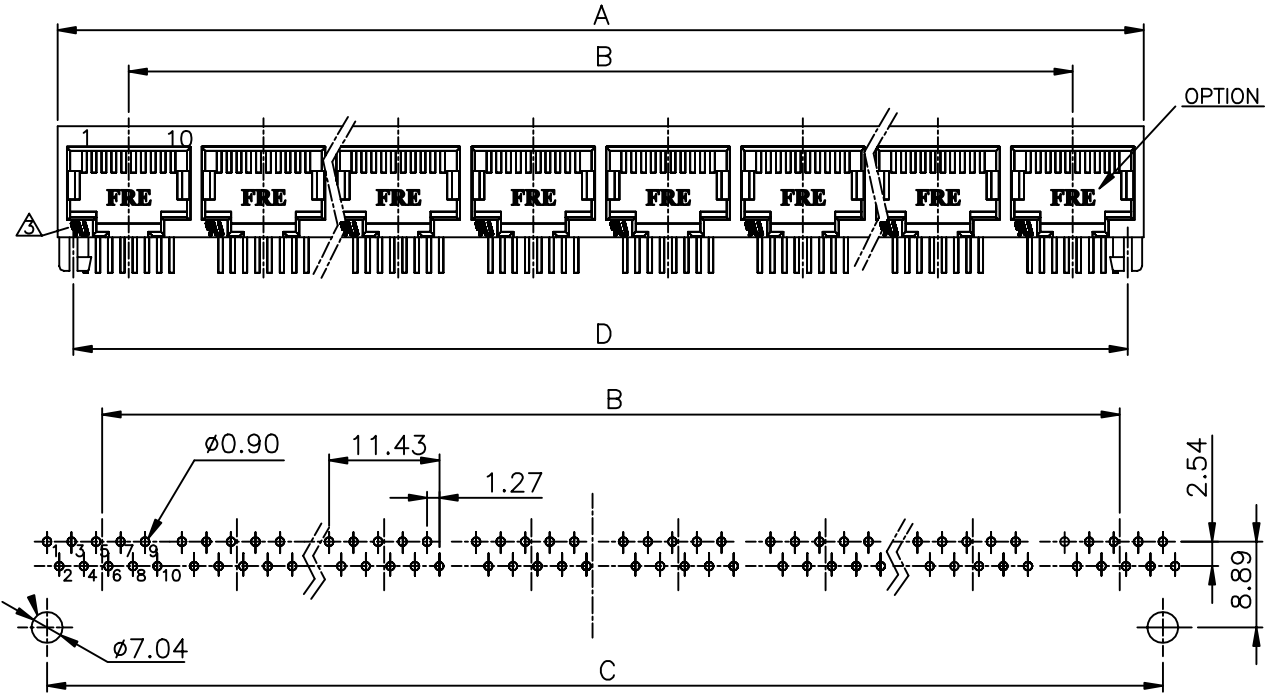


△	MODIFY DRAWING	SKYCHEN 09/07/08	REVISION RECORD		
REV	ECO	DESCRIPTION	DRFT	CHKD	
△		Modify P/N	08/29/08	ANKUE	
△		ADD PART NUMBER	11/17/08	ANKUE	
△		MODIFY DRAWING	07/10/08	ANKUE	



PC Board Layout Component Side Shown

PORTS	DIM "A" ^{+0.10} / _{-0.30}	DIM "B" ±0.20	DIM "C" ±0.15	DIM "D" ±0.15
2	30.48	13.97	25.40	25.40
6	86.36	86.36	81.28	81.28
8	114.30	97.79	109.22	109.22

NOTES:

ELECTRICAL:

- VOLTAGE RATING : 125 VAC RMS.
- CURRENT RATING : 1.5 AMP
- CONTACT RESISTANCE : 45 MILLIOHMS MAX.
- INSULATION RESISTANCE : 1000 MEGOHMS MIN @ 500 VDC.
- DIELECTRIC STRENGTH : 1000 VAC RMS 60HZ, 1MIN.

MECHANICAL:

- HOUSING MATERIAL : PBT+GF30% UL94V-0. COLOR:BLACK.
- CONTACT MATERIAL : PHOSPHOR BRONZE ø0.46mm. .
- PLATING : GOLD PLATING OVER NICKEL.
- OPERATING LIFE : 750 CYCLES MIN.
- PCB RETENTION PRE-SOLDER : 1 LB MIN.
- PCB RETENTION POST-SOLDER : 10 LBS MIN.

ENVIRONMENTAL:

- STORAGE : -40°C TO +85°C.
 - OPERATION : -40°C TO +85°C.
 - WAVE SOLDER TEMPERATURE: 230°C TO 250°C 5~10 SECONDS.
 - RoHS COMPLIANT.
- MATES WITH MODULAR PLUG CONFORMING TO FCC PART 68, SUBPART F.
CUL FILE NO. E163191

△RoHS PART NUMBER: E560X-X0X0XX-L △

NO. OF CONTACT
8-8 CONTACTS
1-10 CONTACTS
0- W/FRE LOGO
2- W/O FRE LOGO

1- 3u" 2- 6u" 3-15u"
4-30u" 5-50u" 6-Pd20u"
6-ROUND PIN(FRE)
Q-ROUND PIN(MAXTOP) △

△ A-2PORTS
E-6PORTS
G-8PORTS

DETACHED LISTS	MM (INCH)	DFTO SHINE	DATE 3/31/01
	TOLERANCES EXCEPT AS NOTED	CHKD ASHELLY	DATE 2006/9/8
	.0 ± 0.2	MFO	DATE
	.00 ± 0.15	APPVL LUSHENG	DATE 2006/9/8
	.000 ± 0.075	MATERIAL :	
ANGLES ± 0.5	QT'Y :		
THIRD ANGLE PROJECTION	FINISH :		
	SCALE : 4:5		

	RoHS Compliant
FULL RISE ELECTRONIC CO., LTD	
TITLE 11.5 SIDE ENTRY PCB GANG JACK 10P	
DRAWING NO. GE563062-LC	SIZE A3
7/PART NO. SEE NOTE	REV 4
DO NOT SCALE DRAWING	SHEET 1 OF 1